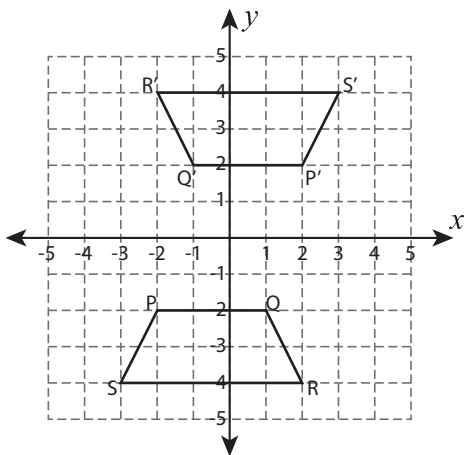


# Rotation of Shapes

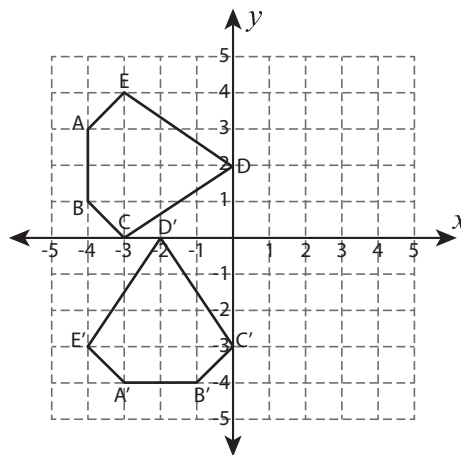
Write a rule to describe each rotation.

1)



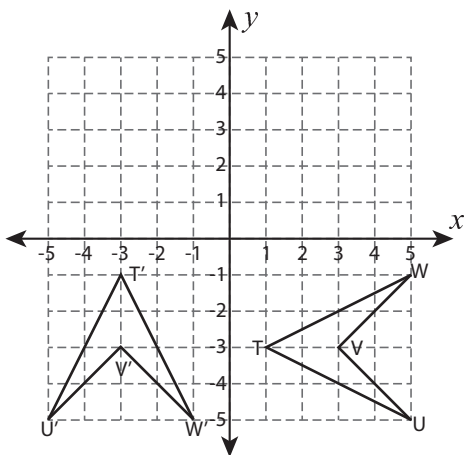
\_\_\_\_\_

2)



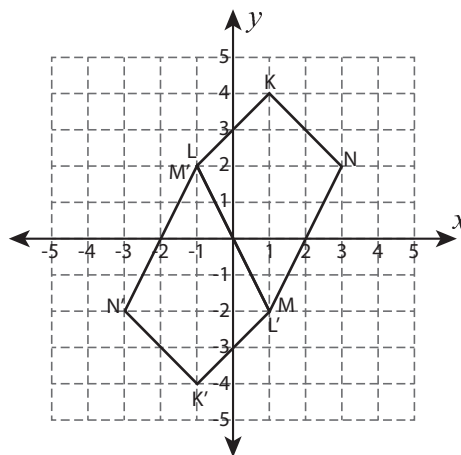
\_\_\_\_\_

3)



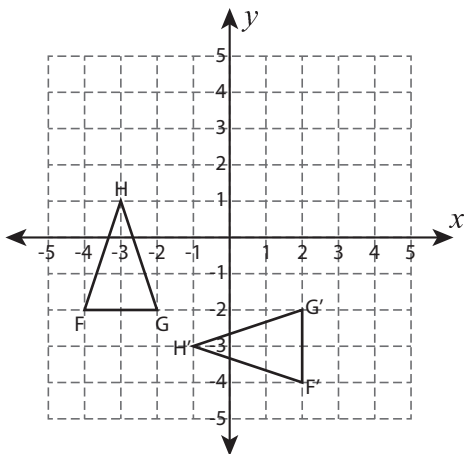
\_\_\_\_\_

4)



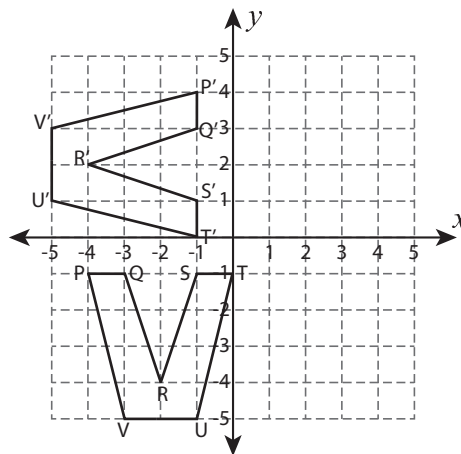
\_\_\_\_\_

5)



\_\_\_\_\_

6)



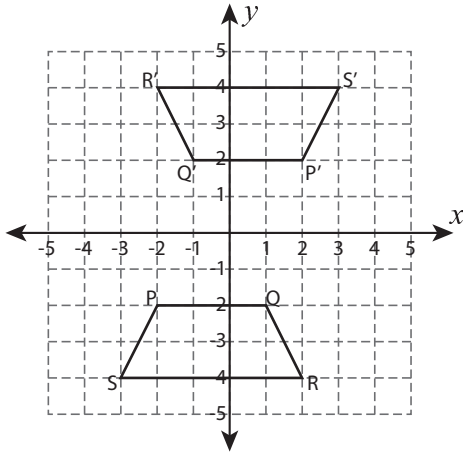
\_\_\_\_\_

**Answer key**

**Rotation of Shapes**

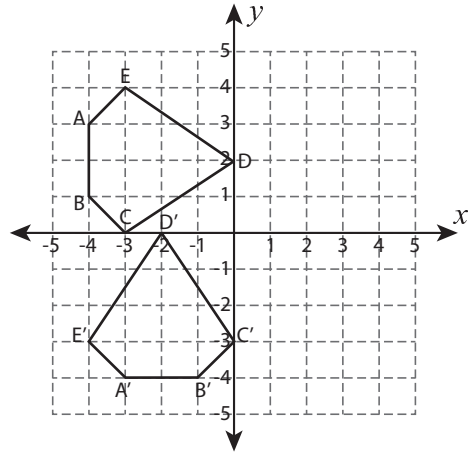
Write a rule to describe each rotation.

1)



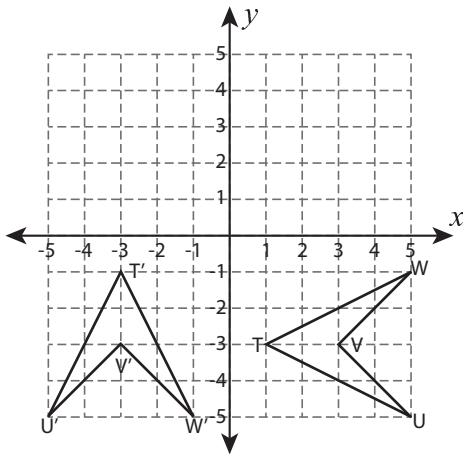
**180° rotation about the origin**

2)



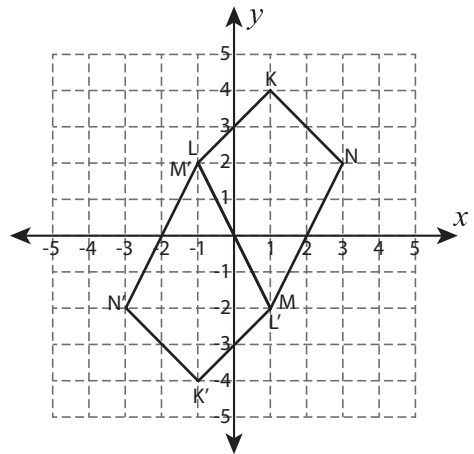
**90° counterclockwise rotation about the origin**

3)



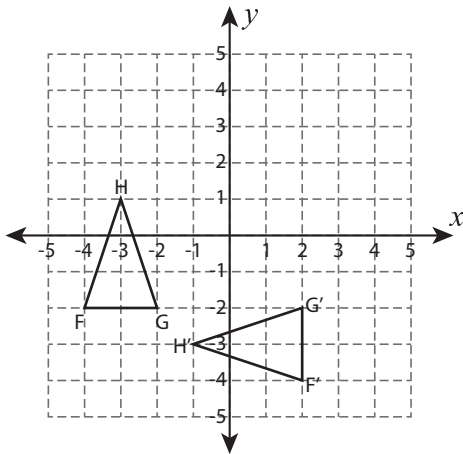
**90° clockwise rotation about the origin**

4)



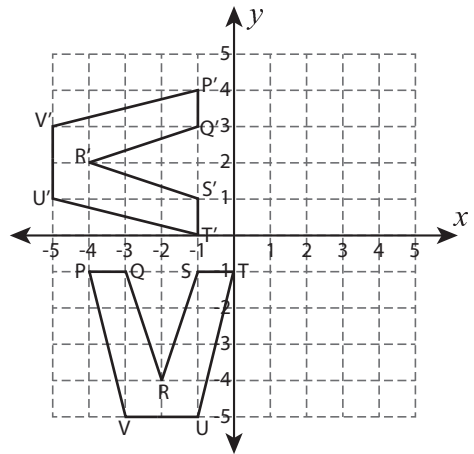
**180° rotation about the origin**

5)



**90° counterclockwise rotation about the origin**

6)



**90° clockwise rotation about the origin**